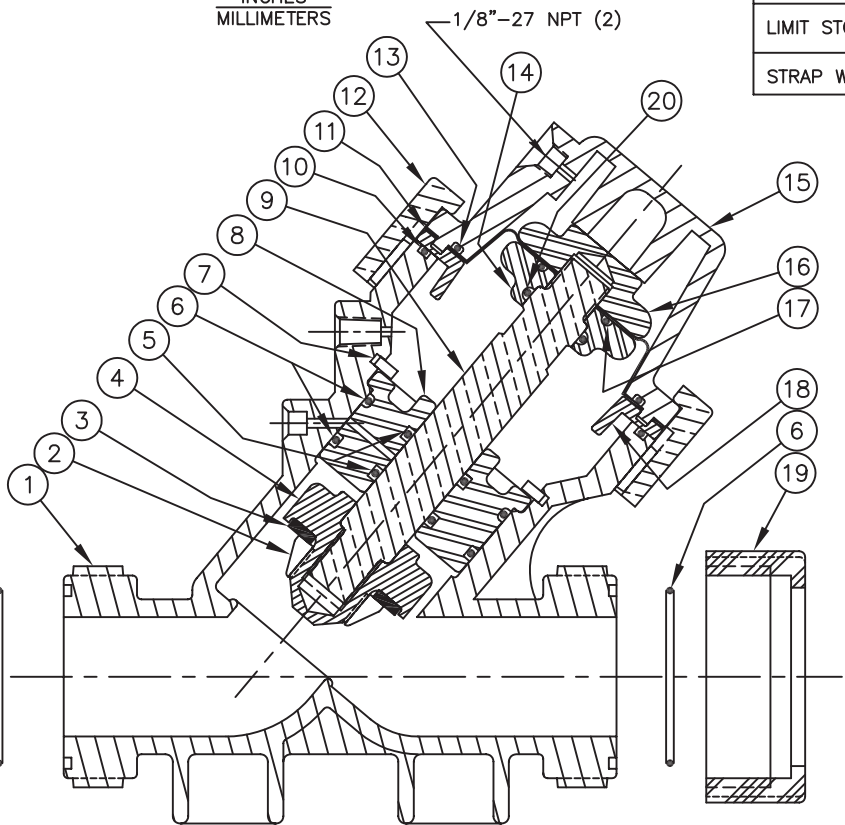


REPAIR PARTS KITS	
DESCRIPTION	PART NO.
DIAPHRAGM & SEALS KIT CONSISTS OF ITEM NO'S 3,5,6,10,11,13,17	1070319 (534-RAE) 1070327 (534-RAJ)
	E.P.D.M. BUTYL INCLUDES INCLUDES DIAPHRAGM DIAPHRAGM 1073333 (V534-100) 1073333 (V534-100)
	1070335 (534-RAV) FKM INCLUDES DIAPHRAGM 1073334 (V534-101)
INT. PARTS KIT CONSISTS OF ITEM NO'S 2,4,7,8,9,14,16,18	1070343 (K534-RF)

ASSEMBLY TOOLS	
DESCRIPTION	PART NO.
LIMIT STOP TOOL (TOOL NOT SHOWN)	1073556 (V560-579)
STRAP WRENCH (TOOL NOT SHOWN)	1073557 (V560-581)

NOTE:
CONNECTORS NOT FURNISHED
WITH VALVE.
SEE DWG. NO. 1078165 FOR
FEMALE SOCKET WELD CONNECTORS.



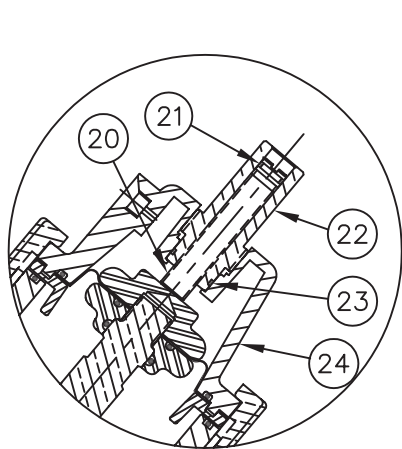
NO.	DESCRIPTION	PART NO.	QTY.
1	BODY	1073344 (V534-410K)	1
2	DISC PLATE	PVC 1073330 (V534-093)	1
		NORYL 1073331 (V534-094)	
3	DISC	E.P. 1073337 (V534-110)	1
		BUTYL 1073338 (V534-111)	
		FKM 1073339 (V534-112)	
4	DISC HOLDER	PVC 1073353 (V534-500)	1
		NORYL 1073354 (V534-501)	
5	O-RING	E.P. 1242719 (ORE-212TC)	2
		BUTYL 1071777 (ORJ-212)	
		FKM 1242395 (ORV-212TC)	
6	O-RING	E.P. 1071751 (ORE-228)	4
		BUTYL 1071781 (ORJ-228)	
		FKM 1071822 (ORV-228)	
7	RETAINING RING	1073375 (V534-593)	1
8	SHAFT GUIDE	PVC 1073350 (V534-491)	1
		NORYL 1073351 (V534-492)	
9	SHAFT	PVC 1073360 (V534-533)	1
		NORYL 1073361 (V534-534)	
10	O-RING	BUNA N 1071709 (ORB-240)	1
		FKM 1071830 (ORV-240)	
11	DIAPHRAGM	BUNA N 1073333 (V534-100)	1
		FKM 1073334 (V534-101)	
12	CAP RETAINER NUT	1073458 (V537-080K)	1
13	O-RING	BUNA N 1071707 (ORB-235)	1
		FKM 1071827 (ORV-235)	
14	LOWER DIA. PLATE	PVC 1073320 (V534-045)	1
		NORYL 1073321 (V534-046)	
15	CAP	1073317 (V534-020K)	1
16	UPPER DIA. PLATE	PVC 1073318 (V534-040)	1
		NORYL 1073319 (V534-041)	
17	O-RING	BUTYL 1076766 (ORB-214)	1
		FKM 1071817 (ORV-214)	
18	DIAPH. SUPPORT	1073366 (V534-551K)	1
19	SOCKET RTNG NUT	1073329 (V534-080K)	2
20	O-RING	BUNA N 1076765 (ORB-212)	1
		FKM 1071816 (ORV-212)	

SEE REVERSE SIDE FOR CONFIGURATION OPTIONS

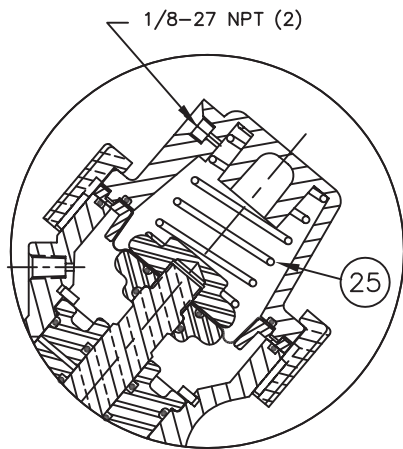
FORM NO. 1077689

E	UPDATED O-RING P/N'S	1635	MSM	23JAN06	
REV	DESCRIPTION	ECO	DWN	DATE	APVD
SERIES 534 DIAPHRAGM VALVE STANDARD MODEL					
DRAWN	JWB	DATE	11JUN01	DRAWING NO.	1084009

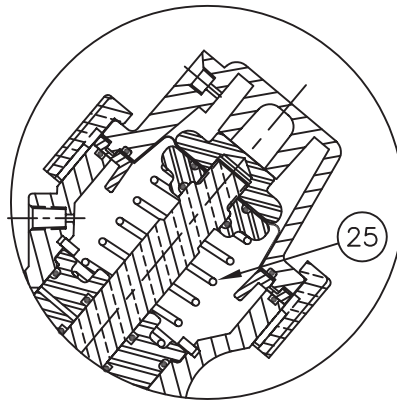
1070308 (K534-X200-14000)
NORMALLY OPEN (STANDARD)



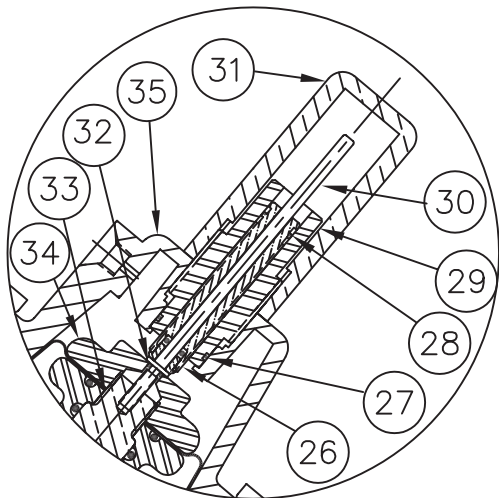
1070309 (K534-X210-14000)
LIMIT STOP



1071332 (K534-X202-14000)
SPRING ASSIST CLOSED



1071329 (K534-X201-14000)
SPRING ASSIST OPEN



K534-X221-14000
**LIMIT STOP/
POSITION INDICATOR**

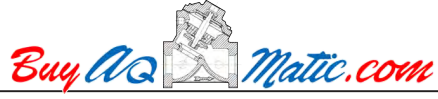
REPAIR PARTS KITS	
DESCRIPTION	PART NO.
INT. PARTS KIT (LIMIT STOP) CONSISTS OF ITEM NO'S 20 THRU 23	1075230 (534-LS)
INT. PARTS KIT (SPRING ASSIST CLOSED) CONSISTS OF ITEM NO. 25	1075233 (534-S)
INT. PARTS KIT (SPRING ASSIST OPEN) CONSISTS OF ITEM NO. 25	1075233 (534-S)
INT. PARTS KIT (LIMIT STOP/POS INDICATOR) CONSISTS OF ITEM NO'S 26 THRU 34	1075231 (534-PI)

CONVERSION KITS	
DESCRIPTION	PART NO.
CONVERSION KIT (LIMIT STOP) CONSISTS OF ITEM NO'S 20 THRU 24	1071308 (K534-LSC)
CONVERSION KIT (SPRING ASSIST CLOSED) CONSISTS OF ITEM NO. 25	1075233 (534-S)
CONVERSION KIT (SPRING ASSIST OPEN) CONSISTS OF ITEM NO. 25	1075233 (534-S)
CONVERSION KIT (POSITION INDICATOR) CONSISTS OF ITEM NO'S 26 THRU 35	1071309 (K534-PIC)

NO.	DESCRIPTION	PART NO.	QTY.
LIMIT STOP MODEL			
20	ADJUSTING SCREW	1073373 (V534-576)	1
21	O-RING	BUNA N 1071668 (ORB-012)	1
		FKM 1071787 (ORV-012)	
22	LS GUIDE	PVC 1073369 (V534-571)	1
		CPVC 1073371 (V534-573)	
23	O-RING	BUNA N 1071673 (ORB-018)	1
		FKM 1071790 (ORV-018)	
24	CAP	1073345 (V534-420K)	1
SPRING ASSIST CLOSED MODEL & SPRING ASSIST OPEN MODEL			
25	SPRING	1073340 (V534-170)	1
LIMIT STOP/ POSITION INDICATOR MODEL			
26	SCREW ASSY	1081128 (V534-700)	1
27	O-RING	BUNA N 1071673 (ORB-018)	1
		FKM 1071790 (ORV-018)	
28	O-RING	BUNA N 1071668 (ORB-012)	1
		FKM 1071787 (ORV-012)	
29	LS/PI GUIDE	PVC 1073368 (V534-570)	1
		CPVC 1073370 (V534-572)	
30	INDICATOR SHAFT	1073367 (V534-555)	1
31	PI CLEAR CAP	1073365 (V534-550)	1
32	O-RING	1071666 (ORB-006)	1
33	SHAFT	PVC 1073362 (V534-535)	1
		NORYL 1073363 (V534-536)	
34	UPPER DIA. PLATE	PVC 1073346 (V534-442)	1
		NORYL 1073347 (V534-443)	
35	CAP	1073345 (V534-420K)	1

SEE REVERSE SIDE FOR
STANDARD NORMALLY OPEN MODEL

FORM NO. 1077689

E	UPDATED O-RING P/N'S	1635	MSM	23JAN06	
REV	DESCRIPTION	ECO	DWN	DATE	APVD
					
SERIES 534 DIAPHRAGM VALVE STANDARD MODEL					
DRAWN		DATE		DRAWING NO.	
JWB		11JUN01		1084009	